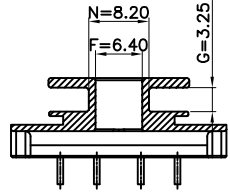
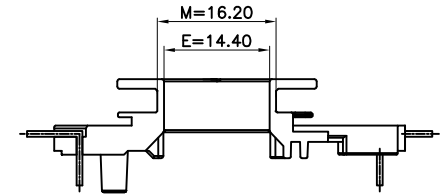
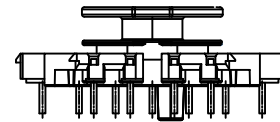
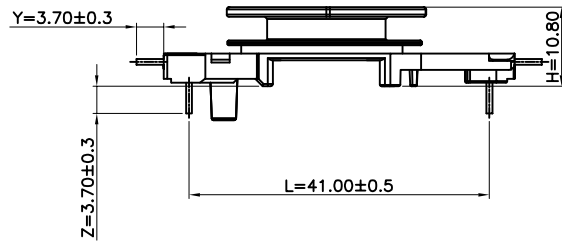
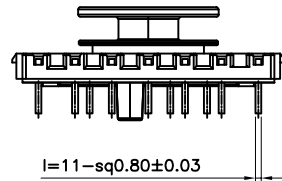
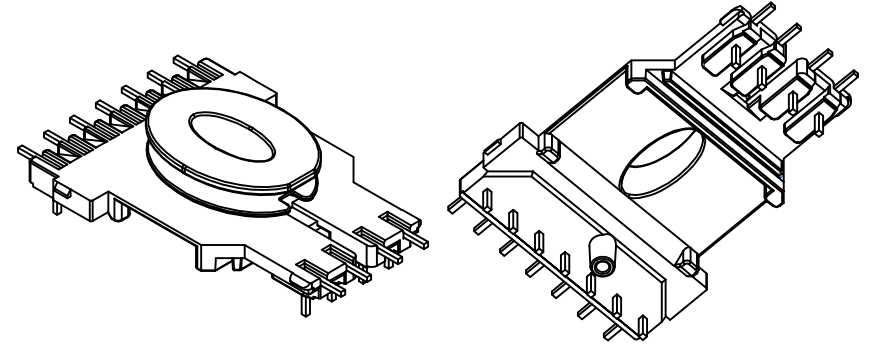
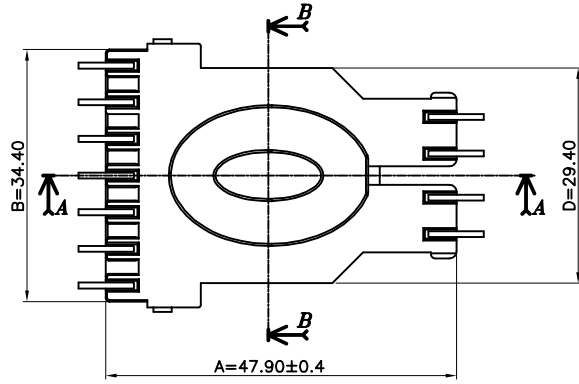


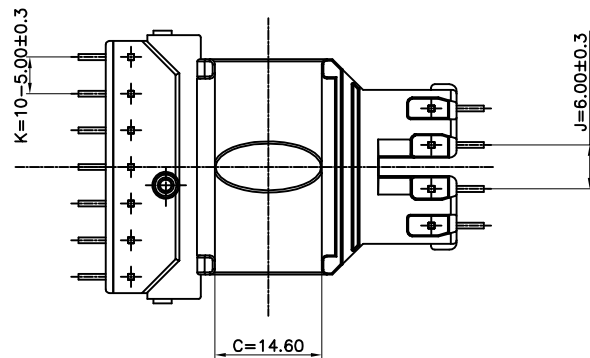
TOLERANCE	
0≤L≤16	±0.2
16≤L≤50	±0.3
50≤L≤63	±0.4
63≤L≤75	±0.5
75≤L≤100	±0.7



SECTION B-B



SECTION A-A



REVISION NOTE				DATE	DRAWN	CHECKED	APPROVED
MARK	DRAWN	CHECKED	APPROVED	MATERIAL : PHENOL	UL REC. : UL94V-0	THIRD ANGLE PROJ.	SCALE : 1/1
	hJ, shin	KM, Seo	C, Park	Z : PIN LENGTH (According to customer's request)	DATE : 2015.04.08	PIN TENSILE FORCE : 1.0 Kgf	UNIT : m/m
	주식회사 대흥보빈 DAE HEUNG BOBBIN CO., LTD					TITLE EED 36*14 "V" (11P) (C)	
						DWG NO DH-161030-2096-02	